

**Santa Rosa Quilt Guild
August Block of the Month
Due September 6, 2012**

LOG CABIN VARIATION – BABY QUILT

This makes a 10 1/2" square unfinished block.



Fabric requirements:

A **novelty print** that will fit within a 4" finished square

Yellow:

(3) 1 strip 1 1/2 X 5 1/2"

(4) 1 strip 1 1/2 x 6 1/2"

(7) 1 strip 1 1/2 x 7 1/2'

(8) 1 strip 1 1/2 x 8 1/2"

(11) 1 strip 1 1/2 x 9 1/2"

(12) 1 strip 1 1/2 x 10 1/2"

Green or Blue (not pink)

(1) 1 strip 1 1/2 x 4 1/2"

(2) 1 strip 1 1/2 x 5 1/2"

(5) 1 strip 1 1/2 x 6 1/2"

(6) 1 strip 1 1/2 x 7 1/2"

(9) 1 strip 1 1/2 x 8 1/2"

(10) 1 strip 1 1/2 x 9 1/2"

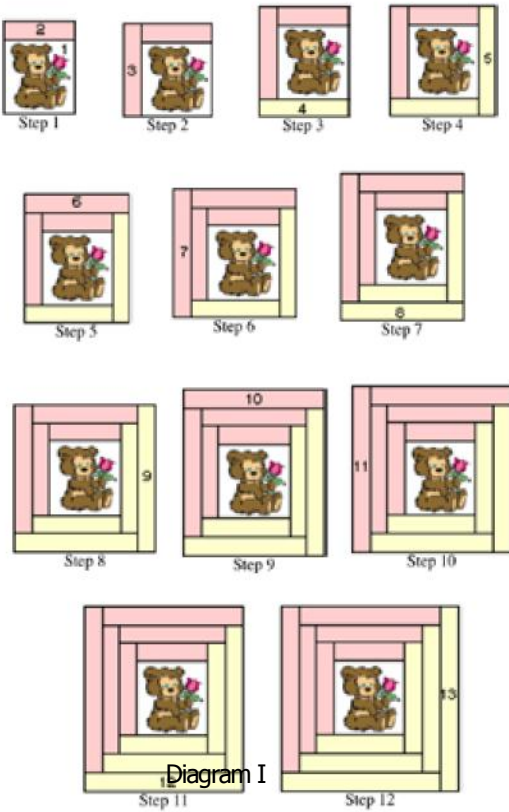
Note: Numbers in parenthesis show order of sewing.

Fussy-cutting Block Center

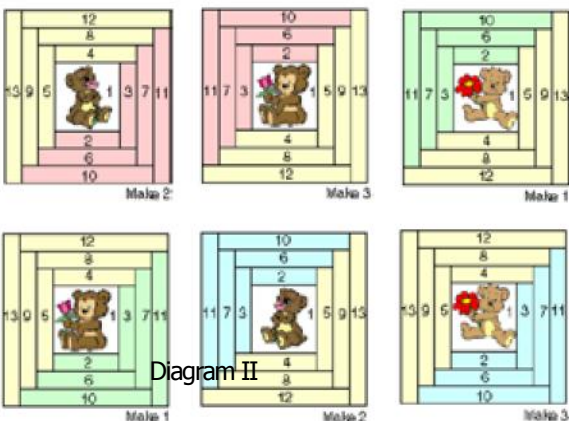
To center a motif in the square, make a 4 1/2" plastic template, including the seam allowance line. Place plastic template on fabric, center motif using seam allowance lines as a guide.

Piecing the Blocks

Step 1. Press seam allowances toward the last strip added (Diagram I).



Step 2. In same manner, shown (Diagram II).

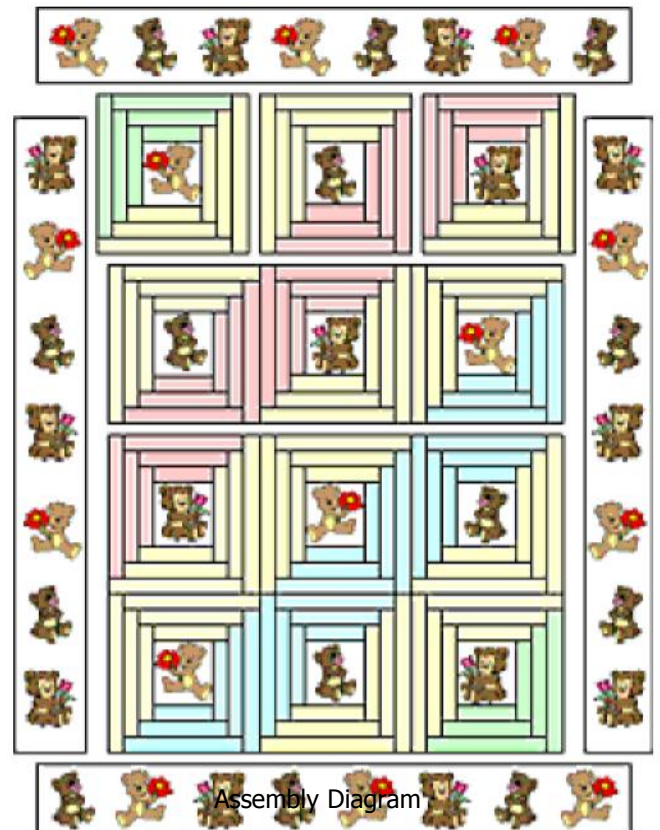


Assembling the Quilt

Step 3. Note: Refer to Assembly Diagram for following steps. Sew 4 rows of 3 blocks each. Stitch rows together.

Step 4. Stitch 5" x WOE strips to sides; trim even with top and bottom. Sew remaining WOE strips to top/bottom; trim even with sides.

Step 5. Layer, baste, and quilt. Bind quilt with fabric of your choice.



Hint: If your motif pattern is directional, such as the Teddy Bears depicted above, you cannot make identical blocks and simply rotate them into position. Follow the "block assembly" diagrams when using directional motifs to make twelve blocks.